

950 LITRE

Single Axle Braked Trailer



Maximum towable weight of **1800kg**

Suitable for most brands of tanks or bowzers up to **950 Litre**,* including the following MHM models:

Fuel Steel Cube 450
Fuel Steel Cube 950

When looking for a robust, reliable, good quality single axle braked trailer, suitable for fuel tanks up to 1,800kg, look no further than the MHM 950 Litre Trailer.

Optional extra: Pin hitch

Features Benefits

- Ready for work rolling chassis
- Towable chassis is fully certified and approved and is recorded on a data base in accordance with Regulation 2007/46/EC
- Open frame design
- The design is approved for various load fastening variations
- Chassis is complete with mudguards, brakes and rear lights

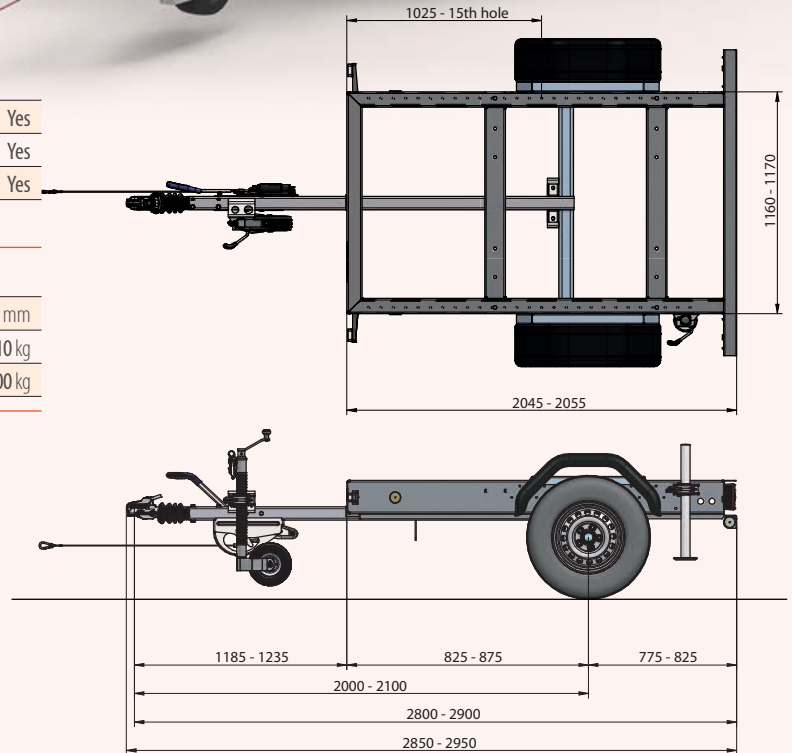
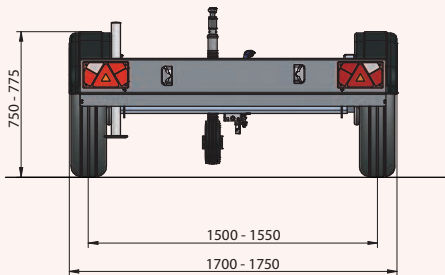
- Simply load and secure your tank or bowser and go
- No further testing or certification is required as the standard issue certification satisfies all the elements of trailer legislation and chassis can be legally and safely towed with, or without a pay load
- Simply fasten and secure your tank or bowser on and off the chassis with ease
- Choose from ratchet straps or nut and bolts fasteners as both are acceptable
- Trailer is suitable for UK and Ireland highway use



Specification

Tow Hitch Type:	Ball	Suspension:	Yes	Jockey Wheel:	Yes
Wheel Quantity:	2	Brakes:	Yes	Mudguards:	Yes
Wheel Size:	14 inch	Handbrake:	Yes	Tail Lights:	Yes
Tyre Size:	185 R14 C	Breakaway Cable:	Yes		

Dimensions (Trailer)			
Length:	2950 mm	Width:	1750 mm
Weight:	290 kg	Max. Load / Bed Weight:	1510 kg
Max. Bed Area:	2300 mm ²	Max. Gross Vehicle Weight (GVW):	1800 kg



For more details call **MHM TODAY** on **0808 168 9099**

Email sales@mhmplant.com or visit us at www.mhmplant.com



*T&Cs apply. Picture shown for illustration purposes only. Actual product may differ in appearance. All specifications are subject to change.